

8A TRIACs

Features

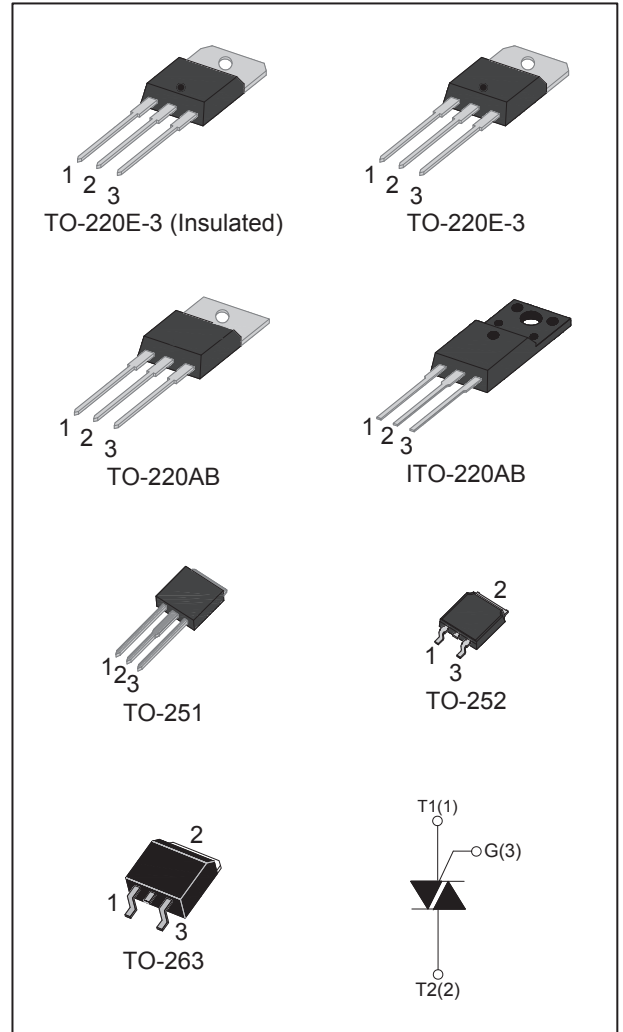
- Glass passivated chip junction
- High voltage and surge capability
- Low thermal resistance and durability
- Triggering in four quadrants
- Pb-free
- RoHS compliant
- SMD device halogen free

Applications

- Static relays
- Heating regulation
- Induction motor starting circuits
- Phase control operation in light dimmers
- Motor speed controllers

Main Features

Symbol	Value	Unit
$I_{T(RMS)}$	8	A
V_{DRM} / V_{RRM}	600 / 800	V



Absolute Maximum Ratings

Parameter	Symbol	Value	Unit
Storage junction temperature range	T_{STG}	-40 to 150	°C
Operating junction temperature range	T_J	-40 to 125	°C
Repetitive peak off-state voltage ($T_J = 25^\circ\text{C}$)	V_{DRM}	600 / 800	V
Repetitive peak reverse voltage ($T_J = 25^\circ\text{C}$)	V_{RRM}	600 / 800	V
RMS on-state current	TO-220E-3(Ins) ($T_C=100^\circ\text{C}$)	8	A
	TO-220E-3 ($T_C=107^\circ\text{C}$)		
	TO-220AB ($T_C=107^\circ\text{C}$)		
	ITO-220AB ($T_C=95^\circ\text{C}$)		
	TO-251 ($T_C=107^\circ\text{C}$)		
	TO-252 ($T_C=107^\circ\text{C}$)		
	TO-263 ($T_C=90^\circ\text{C}$)		

Absolute Maximum Ratings

Parameter	Symbol	Value	Unit
Non repetitive surge peak on-state current (180° conduction angle, F = 50Hz, t _p = 20ms, full cycle)	I _{TSM}	80	A
I ² t value for fusing (t _p = 10ms)	I ² t	32	A ² s
Critical rate of rise of on-state current (I _G = 2×I _{GT} , t _r ≤ 100ns)	dI/dt	50	A/μs
Peak gate current	I _{GM}	4	A
Average gate power dissipation	P _{G(AV)}	1	W

Electrical Characteristics (T_J = 25°C unless otherwise specified)

Standard (4 Quadrants)

Symbol	Test Condition	Quadrant		Value	Unit
I _{GT}	V _D = 12V, R _L = 100Ω	I - II - III	MAX	5	10
		IV		10	25
V _{GT}	V _D = 12V, R _L = 100Ω	ALL	MAX	1.3	V
V _{GD}	V _D = V _{DRM} , T _J = 125°C	ALL	MIN	0.2	V
I _L	I _G = 1.2×I _{GT}	I - III	MAX	5	20
		II - IV		10	35
I _H	V _{AK} = 12V, I _{GK} = 100mA		MAX	5	20
dV/dt	V _D = 67% V _{DRM} , Gate open, T _J = 125°C		MIN	15	100

Static Characteristics

Symbol	Test Condition			Value	Unit
V _{TM}	I _{TM} = 11A, t _p = 380μs	T _J = 25°C	MAX	1.55	V
I _{DRM} I _{RRM}	V _D = V _{DRM} , V _R = V _{RSM}	T _J = 25°C	MAX	5	μA
		T _J = 125°C		1	mA

Thermal Resistances

Symbol	Parameter	Value	Unit
R _{θJC}	Junction to case(AC)	TO-220E-3(Ins)	2.7
		TO-220E-3	1.8
		TO-220AB	1.8
		ITO-220AB	2.9
		TO-251	2.1
		TO-252	2.1
		TO-263	3

Ordering Information

Ordering Type	Marking	Package	Quantity	Delivery Mode
BT08xx-yyEI	BT08xx-yyEI	TO-220E-3(Ins)	50	Tube
BT08xx-yyE	BT08xx-yyE	TO-220E-3	50	Tube
BT08xx-yyT	BT08xx-yyT	TO-220AB	50	Tube
BT08xx-yyTF	BT08xx-yyTF	ITO-220AB	50	Tube
BT08xx-yyH	BT08xx-yyH	TO-251	80	Tube
BT08xx-yyDP	BT08xx-yyDP	TO-252	3,000	13" diameter reel
BT08xx-yyTD	BT08xx-yyTD	TO-263	50	Tube
BT08xx-yyTD	BT08xx-yyTD	TO-263	800	13" diameter reel

Note : xx = sensitivity, yy = voltage

Ordering Information Scheme

BT 08 10 - 600 E

Triac series

BT = 4 Quadrants

$I_{T(RMS)}$

08 = 8A

I_{GT} Sensitivity

10 = 5/5/5/10mA

25 = 10/10/10/25mA

V_{DRM} / V_{RRM}

600 = 600V

800 = 800V

Package type

EI = TO-220E-3(Ins)

E = TO-220E-3

T = TO-220AB

TF = ITO-220AB

H = TO-251

DP = TO-252

TD = TO-263

Ratings and Characteristics Curves

Fig.1 - RMS on-state current versus case temperature

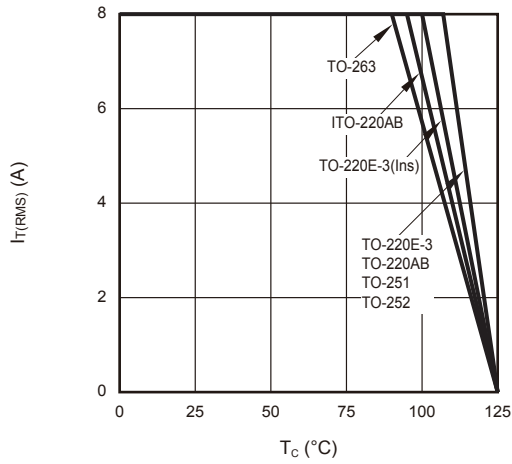


Fig.2 - Surge peak on-state current versus number of cycles

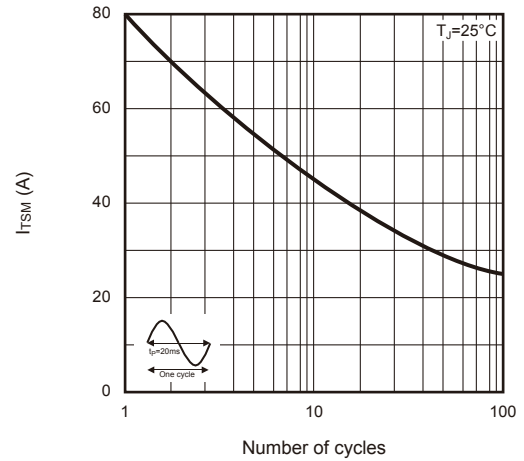


Fig.3 - On-state characteristics (maximum values)

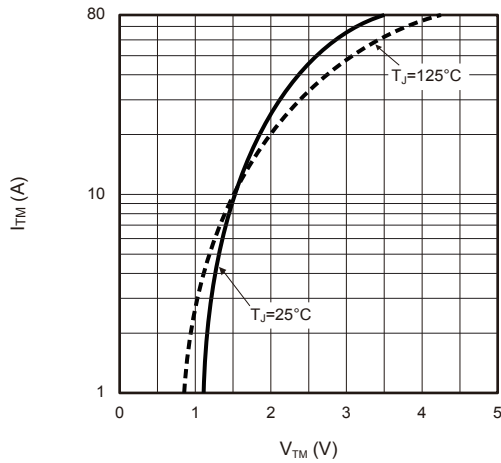


Fig.4 - Maximum power dissipation versus RMS on-state current

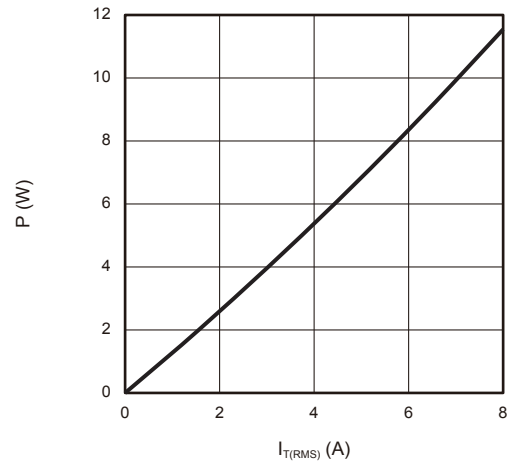
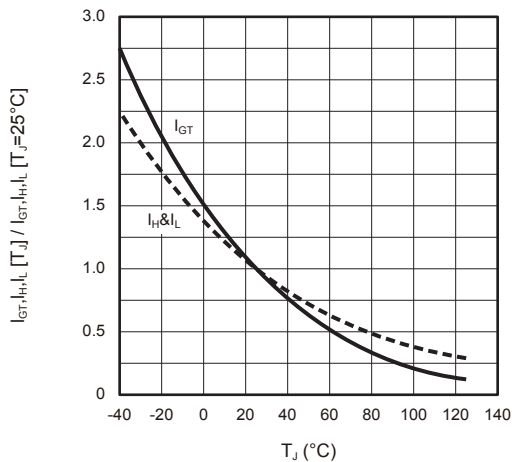
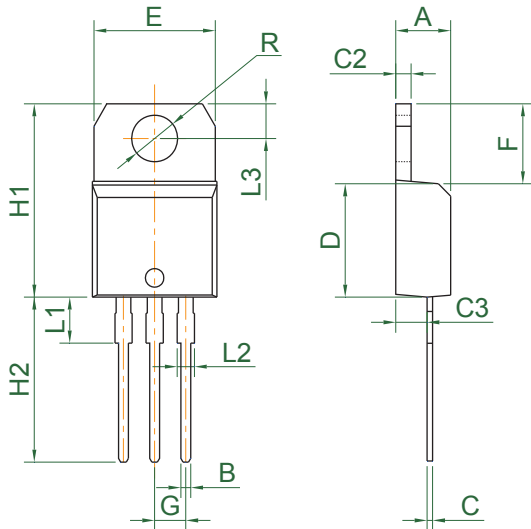


Fig.5 - Relative variations of gate trigger current, holding current and latching current versus junction temperature



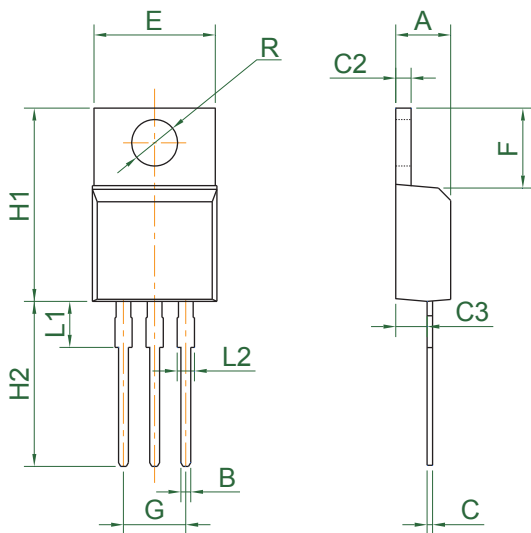
Package Outline Dimensions

TO-220E-3 / TO-220E-3(Ins)



Ref.	Dimensions					
	Millimeters			Inches		
	Min.	Typ.	Max.	Min.	Typ.	Max.
A	4.38	-	4.61	.172	-	.182
B	0.6	-	0.92	.024	-	.036
C	0.35	-	0.7	.014	-	.028
C2	1.15	-	1.36	.045	-	.054
C3	2.35	-	2.75	.092	-	.108
D	8.6	-	9.7	.339	-	.382
E	9.8	-	10.4	.386	-	.409
F	5.85	-	6.95	.230	-	.274
G	2.4	-	2.7	.094	-	.106
H1	14.8	-	16.1	.583	-	.634
H2	13.0	-	14.0	.512	-	.551
L1	2.8	-	4.2	.110	-	.165
L2	1.14	-	1.7	.045	-	.067
L3	2.65	-	3.1	.104	-	.122
R	3.7	-	3.95	.146	-	.156

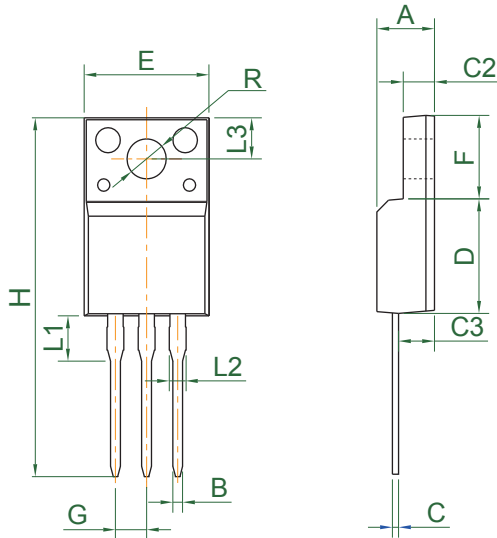
TO-220AB



Ref.	Dimensions					
	Millimeters			Inches		
	Min.	Typ.	Max.	Min.	Typ.	Max.
A	4.07	-	4.85	.160	-	.191
B	0.6	-	1.0	.024	-	.039
C	0.28	-	0.7	.011	-	.028
C2	1.1	-	1.5	.043	-	.059
C3	2.04	-	2.92	.080	-	.115
E	-	-	10.5	-	-	.413
F	5.8	-	6.93	.228	-	.273
G	4.84	-	5.32	.190	-	.209
H1	13.0	-	16.6	.512	-	.654
H2	12.7	-	14.2	.500	-	.559
L1	2.7	-	4.5	.106	-	.177
L2	1.1	-	1.7	.043	-	.067
R	3.4	-	3.95	.134	-	.156

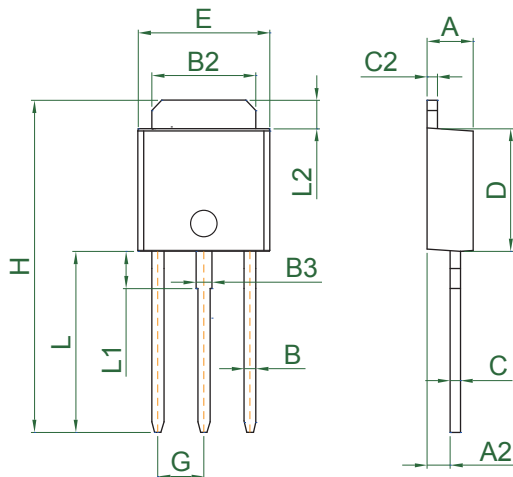
Package Outline Dimensions

ITO-220AB



Ref.	Dimensions					
	Millimeters			Inches		
	Min.	Typ.	Max.	Min.	Typ.	Max.
A	4.0	-	5.1	.157	-	.201
B	0.3	-	0.9	.012	-	.035
C	0.4	-	0.8	.016	-	.031
C2	2.34	-	3.3	.092	-	.130
C3	2.1	-	3.2	.083	-	.126
D	8.3	-	9.3	.327	-	.366
E	9.5	-	10.7	.374	-	.421
F	6.3	-	7.5	.248	-	.295
G	2.01	-	3.07	.079	-	.121
H	28.0	-	29.8	1.102	-	1.173
L1	2.5	-	4.3	.098	-	.169
L2	0.9	-	1.7	.035	-	.067
L3	2.5	-	3.6	.098	-	.142
R	2.7	-	4.31	.106	-	.170

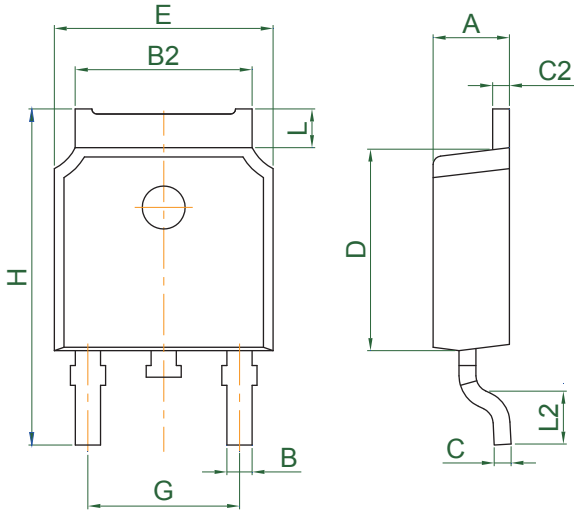
TO-251



Ref.	Dimensions					
	Millimeters			Inches		
	Min.	Typ.	Max.	Min.	Typ.	Max.
A	2.2	-	2.4	.087	-	.095
A2	0.9	-	1.5	.035	-	.059
B	0.5	-	0.7	.020	-	.028
B2	5.1	-	5.4	.201	-	.213
B3	0.7	-	1.0	.028	-	.039
C	0.45	-	0.62	.018	-	.024
C2	0.66	-	0.94	.026	-	.037
D	6.0	-	6.2	.236	-	.244
E	6.4	-	6.7	.252	-	.264
G	2.2	-	2.4	.087	-	.095
H	15.25	-	15.65	.600	-	.616
L	7.8	-	8.8	.307	-	.346
L1	1.5	-	1.9	.059	-	.075
L2	1.1	-	1.55	.043	-	.061

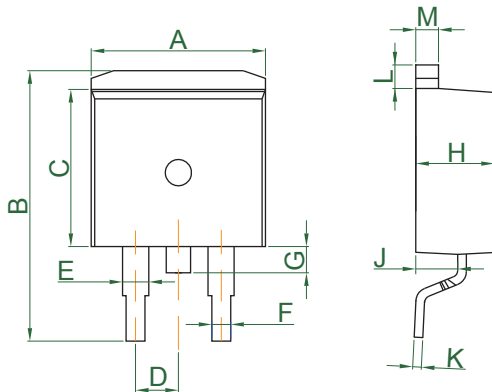
Package Outline Dimensions

TO-252



Ref.	Dimensions					
	Millimeters			Inches		
	Min.	Typ.	Max.	Min.	Typ.	Max.
A	2.1	-	2.5	.083	-	.098
B	0.55	-	0.96	.022	-	.038
B2	4.98	-	5.58	.196	-	.220
C	0.4	-	0.62	.016	-	.024
C2	0.37	-	0.99	.015	-	.039
D	5.8	-	6.4	.228	-	.252
E	6.3	-	6.9	.248	-	.272
G	4.4	-	4.7	.173	-	.185
H	9.35	-	10.7	.368	-	.421
L	1.09	-	1.5	.043	-	.059
L2	1.35	-	2.2	.053	-	.087

TO-263



Ref.	Dimensions					
	Millimeters			Inches		
	Min.	Typ.	Max.	Min.	Typ.	Max.
A	9.66	-	10.66	.380	-	.420
B	14.6	-	16.0	.575	-	.630
C	8.39	-	9.75	.330	-	.384
D	2.35	-	2.85	.093	-	.112
E	1.0	-	1.5	.039	-	.059
F	0.51	-	1.01	.020	-	.040
G	0.7	-	1.77	.028	-	.070
H	4.07	-	4.87	.160	-	.192
J	2.3	-	2.9	.091	-	.114
K	0.3	-	0.73	.012	-	.029
L	1.2	-	1.84	.047	-	.072
M	1.1	-	1.65	.043	-	.065